

INSTALLATION INSTRUCTIONS

INLINE DUCT HEATER

IDH1-8

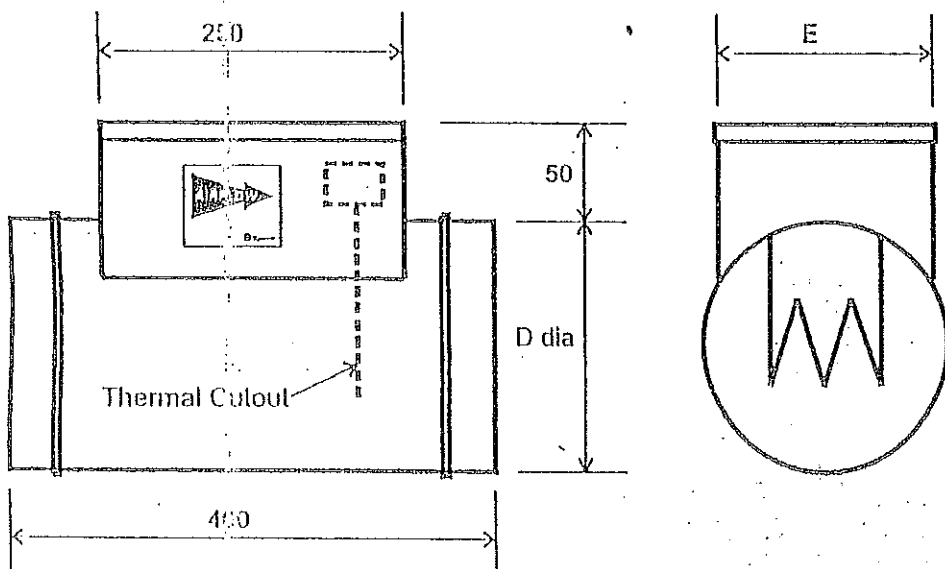
To be retained by the user for future reference

The Xpelair range of inline duct heaters are designed to fit standard diameters of proprietary ducting.

Metal sheathed heating elements are suspended within a galvanised mild steel duct and a galvanised mild steel terminal box is fitted for customer's electrical connections.

Cal. Ref.	Watts	Volts	Nominal Dia(mm)	Dia 'D' (mm)	'E' (mm)	Minimum Air Flow (M ³ /Sec)
IDH1	689 / 750	230 / 240	100	96	80	0.019
IDH2	918 / 1000	230 / 240	125	121	115	0.025
IDH3	1378 / 1500	230 / 240	150	146	115	0.044
IDH4	1837 / 2000	230 / 240	200	196	180	0.078
IDH5	2755 / 3000	230 / 240	250	246	180	0.123
IDH6	8266 / 9000	400 / 415	315	311	180	0.238
IDH7	8266 / 9000	400 / 415	400	396	230	0.314
IDH8	18000	400 / 415	500	496	230	0.491

Minimum air velocity through the heaters is 2 Metres per Second



INSTALLATION

The heater shall be mounted into a rigid or flexible ducting system using standard accessories downstream of the fan. The heater must be installed a minimum distance of 1 metre from the fan with the air flow in the direction indicated on the heater case.

All heaters are fitted with a manual reset, and thermal cutout.

The cutout is adjustable between 60 and 150 degrees centigrade and is supplied factory set at 120 degrees centigrade.

Heaters above 3000 watts must be wired via a suitable contactor.

750 watt to 3000 watt heaters are suitable for single phase 230 / 240v operation only. (see fig 1)

The 4500/9000 and 18000 watt heaters are only suitable for 3 phase, 4 wire, 400 / 415v operation. (see fig 2)

An M5 earth stud is provided on all heaters.

NOTE : THESE PRODUCTS MUST BE EARTHED.

All wiring must be carried out by a competent person to the requirements of the current edition of IEE regulations and to satisfy HSE legislation.

WIRING DIAGRAMS

- Ø - Terminal for customer connection
- H - Heater Element
- THT - Thermostat (contact rating 13A 250v)

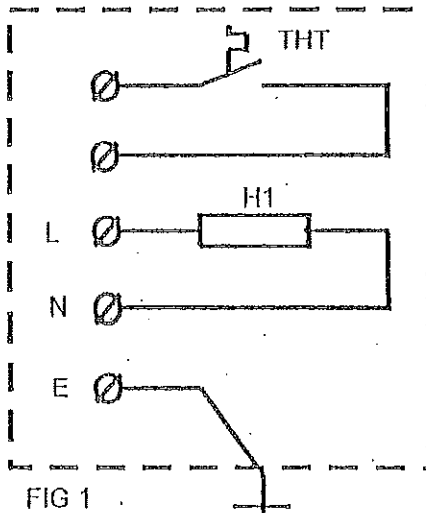


FIG 1

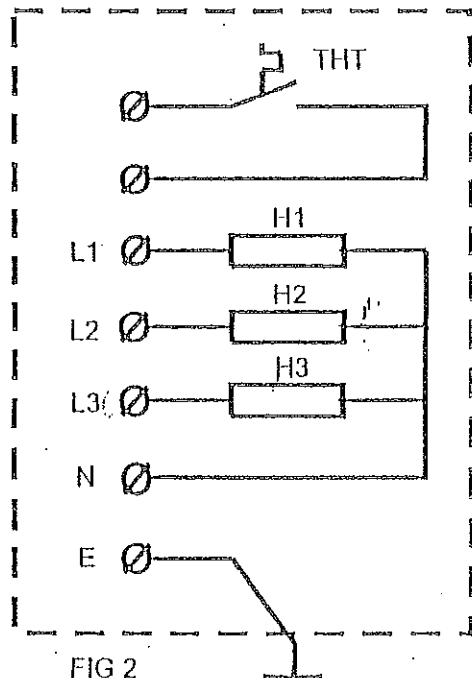


FIG 2

Xpelair Limited

TECHNICAL ADVICE AND SERVICE

Customers outside UK - see "INTERNATIONAL" section below

- ◆ UK - Xpelair have a comprehensive range of services including:
- ◆ Free technical advice from Engineers on all aspects of ventilation and heating.
- ◆ Free design service, quotations and site surveys.
- ◆ Service and maintenance contracts to suit all requirements.

Please ask for details:

- ◆ By telephone on Techline: 0121 327 0808
- ◆ By fax on techfax: 0121 327 8292
- ◆ At the address below.

HEAD OFFICE, UK SALES OFFICE & SPARES

- ◆ PO Box 220, Deykin Avenue, Wilton, Birmingham B6 7JH, England.
Tel: 0121 327 1984
Fax: 0121 327 2719
Telex: 338468
SALES HOTLINE: 0121 327 1001

UK REGIONAL OFFICES (PRODUCTS AND SPARES)

- ◆ **SCOTLAND**
200 Colston Road, Bishopbriggs, Glasgow, G64 2PL
Tel: 0141 772 6407/8
Fax: 0141 762 0862
- ◆ **REGISTERED OFFICE**
PO Box 220, Deykin Avenue, Wilton, Birmingham B6 7JH, England.
Registered in London No. 700266

INTERNATIONAL

- ◆ Technical Advice & Service- Contact your local Xpelair distributor.
- ◆ Export Sales & Admin.
PO Box 220, Deykin Avenue, Wilton, Birmingham B6 7JH, England.
Tel. Int: +44 121 327 1984
Fax Int: +44 121 328 7729
TELEX 338468 XPEL AIR